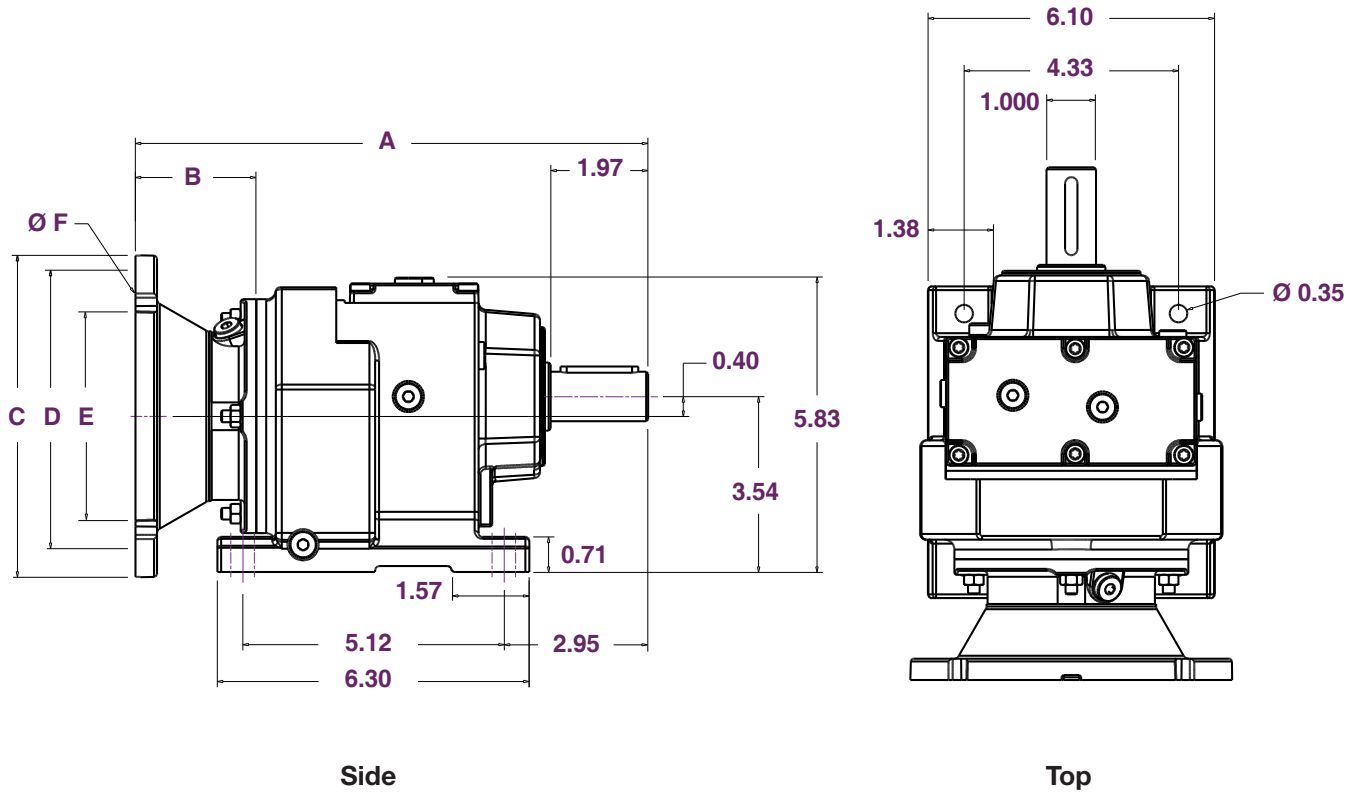




VR38 Dimensions

All dimensions listed in inches



Available Flanges:

Nema Flange Size	A (in)	B (in)	C (in)	D (in)	E (in)	F (in)
56C	10.35	2.44	6.50	5.88	4.500	0.41
140TC	10.75	2.84	6.50	5.88	4.500	0.43

Motor Options

Nema Frame	Motor Shaft Dia. (in)
56C	0.625
143TC	0.875
145TC	0.875

Efficiency

Reduction Stages	Efficiency (%)
2	96
3	94

Specifications

Output Key Width (in)	Est. Oil* (oz)	Approx. Dry Reducer Weight* (lbs)
0.250	10.14	19.84

NOTE: *Oil estimation assumes standard mounting position "A". See page 55 for more information on specific oil amounts in various mounting positions.

*Reducer weights are approximate and can vary by several pounds depending on flange and ratio options.

Ø = common engineering symbol for "diameter".

VR38 Specifications

Stock VR38 Specifications:

Input Speed: 1750 RPM

Service Factor: 1.0

Nominal Ratio	Actual Ratio (:1)	Output Speed (RPM)	Input Power (HP)	Output Power (HP)	Output Torque (in-lbs)	Reduction Stages
50	48.08	36.40	1.09	1.02	1,770.1	3
40	39.17	44.68	1.33	1.25	1,770.1	3
30	28.73	60.91	1.82	1.71	1,770.1	3
20	19.31	90.63	2.65	2.55	1,770.1	2
15	15.60	112.18	3.28	3.15	1,770.1	2
10	10.11	173.10	4.30	4.13	1,504.6	2
5	5.06	345.85	6.83	6.56	1,194.8	2

Special Order VR38 Specifications:

Input Speed: 1750 RPM

Service Factor: 1.0

Actual Ratio (:1)	Output Speed (RPM)	Input Power (HP)	Output Power (HP)	Output Torque (in-lbs)	Reduction Stages
134.82	12.98	0.39	0.36	1,770.1	3
123.66	14.15	0.42	0.40	1,770.1	3
105.28	16.62	0.50	0.47	1,770.1	3
90.77	19.28	0.58	0.54	1,770.1	3
84.61	20.68	0.62	0.58	1,770.1	3
73.96	23.66	0.71	0.66	1,770.1	3
69.33	25.24	0.75	0.71	1,770.1	3
61.18	28.60	0.85	0.80	1,770.1	3
55.76	31.38	0.94	0.88	1,770.1	3
44.81	39.05	1.17	1.10	1,770.1	3
36.72	47.66	1.42	1.34	1,770.1	3
32.40	54.01	1.61	1.52	1,770.1	3
28.32	61.79	1.81	1.74	1,770.1	2
26.03	67.23	1.82	1.75	1,637.4	2
24.42	71.66	2.14	2.01	1,770.1	3
22.27	78.58	2.30	2.21	1,770.1	2
18.05	96.95	2.84	2.72	1,770.1	2
13.25	132.08	3.67	3.52	1,681.6	2
11.83	147.93	3.96	3.80	1,619.7	2
9.47	184.79	4.51	4.33	1,478.1	2
7.97	219.57	5.01	4.81	1,380.7	2
6.67	262.37	5.52	5.31	1,274.5	2
5.67	308.64	6.41	6.15	1,256.8	2
4.32	405.09	7.46	7.17	1,115.2	2
4.05	432.10	7.71	7.40	1,079.8	2
3.41	513.20	8.40	8.07	991.3	2

